

Note: The dimensions are for information only and may vary depending on the equipment installed.

### Technical Specifications

DIMENSIONS	FRONT PLOW MODEL		
	WWS	WWS JR	WWS JR
	<b>12'</b>	<b>14'</b>	<b>12'</b>
A	13' 10"	14' 3"	12' 3"
B	26'	27'	22'
C	45' 10"	46' 3"	38' 9"
Overall Height	12'	12'	12'

	WWS	WWS JR	
<b>VEHICLE SPECIFICATIONS</b>			
Make / Model :	Western Star 49x Tridem	Western Star 47X / 49X - Other Tandem	
Cab Color :	Wheatland yellow / White	Wheatland yellow / White	
Vehicle Unladen Weight :	48 000 lb	38 000 lb	
Wheelbase :	291 in	238 in	
Axle Capacity :			
Front :	20 000 lb	20 000 lb	
Rear (1) :	23 000 lb	23 000 lb	
Rear (2) :	23 000 lb	23 000 lb	
Rear (3) :	23 000 lb	---	
<b>ENGINE SELECTION</b>			
Make / Model :	Detroit DD16 15.6L	Detroit DD13 12.8 L	Cummins X12 11.9 L
Engine Gross Power :	560 HP @ 1800 RPM	525 HP @ 1625 RPM	500 HP @ 1900 RPM
Net Torque :	1850 lb/ft @ 1120 RPM	1850 lb/ft @ 975 RPM	1700 lb/ft @ 1000 RPM
<b>CONTROL &amp; HYDRAULIC SYSTEM SELECTION</b>			
Make / Model :	Rexroth CS660 w/ one joystick	Force America Patrol 6100 w/ three joysticks	Rexroth CS660 w/ one joystick
			Force America Patrol 6100 w/ three joysticks
<b>SNOW &amp; ICE FIGHTING PACKAGE</b>			
Wing :	21 ft moldboard		16 ft moldboard
	Floating and pushback safety system		Floating and pushback safety system
Front Plow :	12 ft reversible	14 ft reversible	12 ft reversible
Body :	21 ft long		15 ft long
	17.7 yd <sup>3</sup> water level capacity		12 yd <sup>3</sup> water level capacity
	17.7 yd <sup>3</sup> of material capacity		17.5 yd <sup>3</sup> of material capacity
	Center, right, and/or left material discharge		Center, right, and/or left material discharge
Pre-Wet :	317 gal capacity		317 gal capacity
	Optional* DLA - 951 gal		Optional* DLA - 634 gal

#### Optional DLA Tanks



- + Dual functionality with both pre-wet and deicing liquid
- + High-performance DLA with up to 3 spray lanes
- + Independent controls for each lane

#### PROUDLY SERVING CUSTOMERS ACROSS NORTH AMERICA:

**CANADA**  
St-Valerien-de Milton, QC  
Laval, QC  
Ayer's Cliff, QC  
Caledon, ON  
Calgary, AB

**USA**  
Skowegan, ME  
Hopkinton, NH  
Lakeville, NY  
Fond du Lac, WI  
Wooster, OH

TENCO.CA



A Member of the



**ALAMO GROUP**  
Snow & Ice Team



Manufacture, distribution and installation of snow removal and anti-icing equipment



## Multi-Lane Snow / Ice Removal Solutions

WWS VIDEO



WWS JR VIDEO



PATENT PROTECTED  
Canadian Patent No. 3,160,935 – U.S. Patent No. 12,392,100 B2

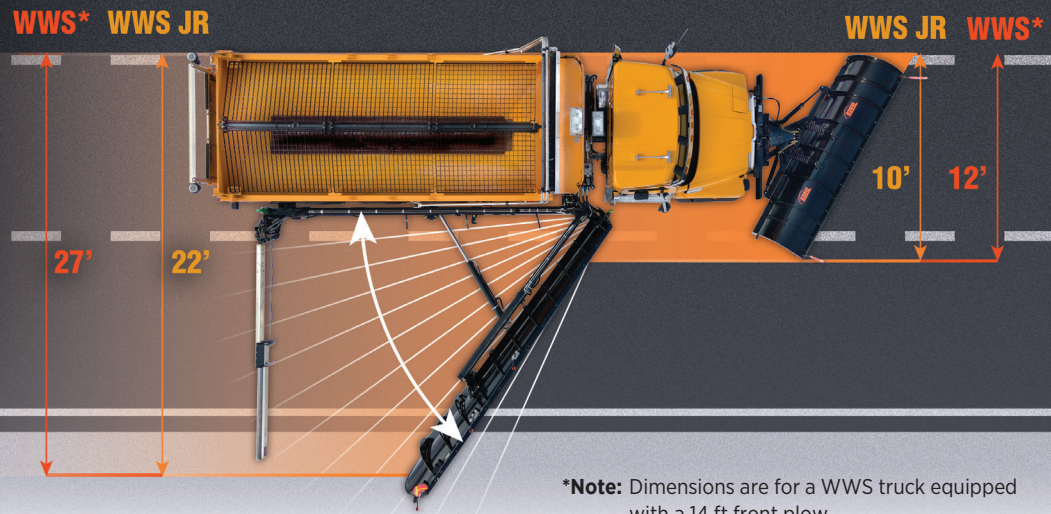


## Multi-Lane Snow / Ice Removal Solutions

## High-Visibility Lighting for Safer Operations

The Wide Wing System™ Series (WWS & WWS JR) allows for efficient and simultaneous multi-lane snow and ice removal. In addition, with its predictable side wing deployment system, it is safe for motorists.

The Wide Wing System is a complete vehicle that is fully integrated with its snow removal equipment. This turnkey solution provides safe and trouble-free operation and is available in both full-size (WWS) and compact (WWS JR) configurations.



\*Note: Dimensions are for a WWS truck equipped with a 14 ft front plow.

### Benefits of the WWS Series

- + Clears two (2) lanes and shoulder up to 8.3 m (27 ft) wide or 2 lanes and up to 6.7 m (22 ft) in one pass.
- + Flexible, lateral wing deployment adapts to various road widths.
- + It only requires a class 3, DZ or class B commercial driver's licence depending on the location.
- + No specialized driver training is necessary.
- + Facilitates driver retention and recruitment.

**The safe solutions for winter maintenance of highways and municipal roads.**



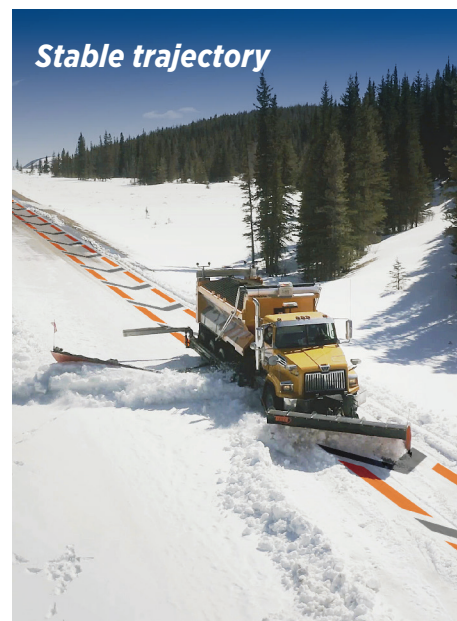
Less equipment required

With a WWS Series, less equipment is needed to clear multiple lanes simultaneously. It replaces several plowing units in tandem formation, increasing the efficiency of operations.



Predictable lateral deployment for motorist safety

Just like a standard plow truck, the side wing deployment is predictable so as not to surprise nearby motorists. As a result, safety is increased and the risk of accidents is greatly reduced.



Stable trajectory

Despite the impressive size of their wings (21 ft or 16 ft of moldboard), both the WWS and the WWS JR remain stable and stay on course even when pushing heavy snow loads.



WWS Series vehicles feature advanced lighting systems designed to enhance motorists' safety

The WWS JR wing is equipped with mounted amber strobe lights, red warning lights, and reflectors to warn motorists of the wing's presence when deployed.



The WWS features a telescopic warning gate that moves in sync with the wing, warning motorists not to pass on the wing side when deployed.

### Main Features



Ergonomic

The comfortable cabin with ergonomic control and screen positioning reduces operator fatigue during long shifts and stressful conditions.



Operational flexibility

The wing assembly is stored alongside the truck during transport mode and when snow removal operations do not require the wing. All sanding and anti-ice operations can be done at any time, whether the wing is deployed or not.



Easy to operate

Exclusive to the WWS Series, an intuitive control system (screen and joystick) makes it easy to view and control all system functions. This keeps driver focus on the road.



Optimal visibility

Two (2) cameras and sensors mounted on the outside of the WWS provide the driver with data and visual feedback to ensure safe snow removal operations.



Access to rear axles

In the event of a breakdown requiring access to the rear axles, a disconnect system with caster wheel assembly ensures quick access for emergency field service and periodic maintenance.